



SARA Newsletter

March 2005

Shreveport Amateur Radio Association

Meeting:

First Thursday of each month at 6:30 P.M. in the Bossier Main Library History Center

Local Amateur Information

Available at:

www.qsl.net/nw1arn/

or

www.K5SAR.com

SARA Repeaters:

145.050 - K5SAR

DX Packet Cluster

145.110 - N5FJ

146.700 - K5KDO

146.820 - K5SL

440.900 - N5FJ

SARA

PO Box 37632

Shreveport, LA

71133-7632

2005 Club Officers

President – [Richard Lee, N5PFZ](#)

Vice President – [Glenn Pettiet, K5TGP](#)

Treasurer – [Randy Fulco, K5SL](#)

Secretary – [Ellen Dupuy, K5LND](#)

Soundcard Interface

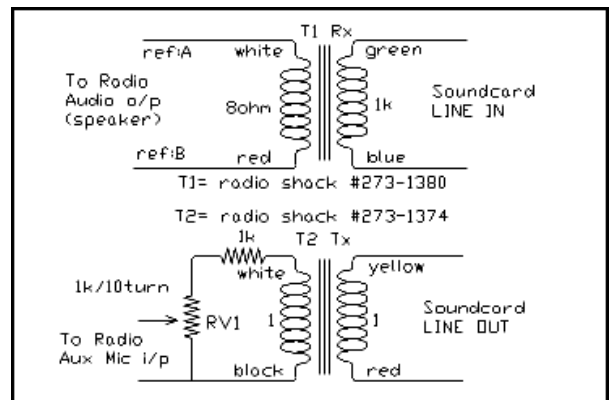
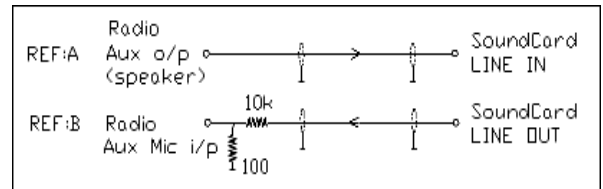
by Ernie Mills, WM2U. <http://www.qsl.net/wm2u>

First off, **keep it as simple** as you can. This circuit shows a single connection between the Radio Audio Output and The Sound card LINE IN, and a simple 100:1 attenuated connection between the Radio Aux. Mic IN and the Sound Card LINE OUT.

Try this hook-up first. If you are operating clean and you are having no ground loop problems, that's it. Read no further. Your done! There are a lot of Hams who operate very well using just this circuit.

So! you have **ground loop** problems eh? Well the next step is to **isolate** your sound card from the radio. To achieve this, check out this well proven schematic shown at right.

With this configuration the VOX is used to trigger the PTT line for Transmission.



Sorry – no more room here. Want the rest of the story? Join us for the March meeting this Thursday, 6:30 PM at the Bossier Parish Main Library History Center for not only soundcard interfacing, but controlling your radio as well.

Special Event Station W5E

On the weekend of April 16-17 the Shreveport Amateur Radio Association and the 8th Air Force Museum in Bossier City will sponsor the Special Event Station W5E to commemorate the 60th anniversary of the last combat mission flown by the 8th Air Force over Germany in WW2. Contacts will be made under portable conditions in front of the "Yankee Doodle," a restored B-17 on exhibit. Radios from the era will also be used on site.



NEW 2005 FIELD DAY RULES

Those planning to participate in this year's Field Day will need to bone up in advance on a few changes in the rules for the ever-popular operating event. Field Day this year takes place June 25-26. The 2261 Field Day entries for 2004 were the most ever. While similar in format to a contest, Field Day is primarily a means to exercise and demonstrate Amateur Radio's emergency operating capabilities while having fun at the same time. ARRL Contest Branch Manager Dan Henderson, N1ND, says that among other things rule changes for 2005 expand eligibility for bonus points.

"All groups will be eligible for some kind of bonus points," Henderson said. "Make sure you carefully read Field Day Rule 7.3." That rule spells out how to qualify for such bonus points as 100 percent emergency power, media publicity, message handling, making satellite contacts, using an alternative power source and copying the W1AW bulletin, among other things. Many bonus point categories are available to all entry classes.

Field Day 2005 will introduce a new "Youth Element" bonus category (Rule 7.3.15). Clubs or groups operating in Class A, C, D, E or F now can claim 20 bonus points--up to a maximum of 100--for each person aged 18 or younger, who completes a valid Field Day contact.

Another rule change clarifies that Get On The Air (GOTA) stations--instituted a few years ago to encourage new or comparatively inexperienced operators to gain operating practice--use the same exchange as the "parent" station. The maximum transmitter output power for GOTA stations is 150 W, and GOTA stations may only operate on the Field Day HF bands.

Free transmitters do not count toward a group's total, and GOTA stations and free VHF stations for Class A entries do not qualify for bonus point credits.

Henderson encourages Field Day participants to submit their Field Day summaries electronically using the Web applet form <<http://www.b4h.net/cabforms>>. "You may input your summary information at that site for a 50-point bonus," Henderson points out.

The Maritime Radio Historical Society's K6KPH, comprised of former operators of the KPH commercial shore station, now an historic site, again will augment W1AW Field Day CW and RTTY bulletin transmissions for West Coast participants.

The complete 2005 Field Day packet now is available on the ARRL Web site <<http://www.arrl.org/contests/forms/05-fd-packet.pdf>>.

Silent Keys

William Henry Macey, Jr.

BOSSIER CITY, LA--William H. Macey, Jr., "Henry", passed away at Garden Court Nursing Center on February 20, 2005 after a battle with bone cancer. He was 60 years old.

Henry was a kind and warm soul; friends and family say, "He never met a stranger". Henry had friends in many states that he met through his frequent time on the HAM radio airwaves. Most people who knew Henry never met anyone like him. Henry had a way of making friends with almost everyone he talked to. His smile, laugh and kindness will be missed.

Published on February 22, 2005 in the *Shreveport Times*.

John William "Bill" Knight, III

SHREVEPORT, LA - Mr. John William "Bill" Knight, III passed away in Shreveport on Tuesday, February 22, 2005 after a brief illness. Graveside services will begin at 11 a.m. on Friday, February 25 at Forest Park Cemetery.

Mr. Knight was a native and lifelong resident of Shreveport. He was a member of the N.R.A. and a local ham radio club.

Published on February 24, 2005 in the *Shreveport Times*.

LA Section News

If you participated in the 2005 LA QSO Party, please remember to submit your log (an electronic or paper log is acceptable) as described at <http://laqso.w5yl.org/> no later than March 15. No matter how few contacts you may have made, the Thibodaux ARC will really appreciate receiving your log. On behalf of the LA Section, I want to thank the Thibodaux ARC for sponsoring the LA QSO Party this year.

The National Hurricane Conference will be held March 21-25 at the Hilton Riverside in New Orleans. Any licensed amateur can attend the free session on disaster communications on Tuesday, March 22, from 1:30 pm to 5:00 pm. All of the scheduled speakers during this special session are hams, including Mike K5MP (Hurricane Watch Net Manager) and Dan K3UFG (Emergency Communications Course Manager at ARRL HQ).

Dusty KB5WFE is the new Emergency Coordinator (EC) for Webster Parish. David K5SRZ, the EC for Bossier Parish, has now been appointed EC for Caddo Parish as well. David is the only current EC in LA responsible for two parishes. However, in the coming months similar joint EC appointments are a distinct possibility in other parts of the state.

Several times since becoming SM back in April 2000 I have requested all members, including contesters and DXers, to submit activity reports. For example, if you have recently upgraded your license, qualified for an operating award, or completed an ARRL on-line course, please let me know. The LA Section report I compose every month tends to focus on public service activities, but there's plenty of space here to acknowledge the individual accomplishments of our section's amateurs, including those activities not directly related to public service.

Because I have received very few station activity reports these past five years that have not been closely related to public service, I will get the ball rolling this month with my own personal report. I just received my QSL for working 8Q7DV (Maldives) this past December on 80 meters. With this last zone (CQ zone 22) now confirmed on 80 meters, I have finally completed my 5-Band Worked All Zones Award!

Upcoming hamfests include the Acadiana ARA Hamfest/LA State Convention in Rayne on March 11-12 and the Baton Rouge ARC Hamfest in Baker on April 29-30.

I am very sorry to report that K5DOO is now a Silent Key.

73,

Mickey Cox, K5MC
LA Section Manager
Email: k5mc@arrl.org
LA Section Website: www.laarrrl.org/

Operating Opportunities

The AGCW YL-CW Party is March 1. The ARRL International DX Contest (SSB), the Wake-Up! QRP Sprint and the Open Ukraine RTTY Championship are the weekend of March 5-6. The DARC 10-Meter Digital Contest is March 6, the RSGB 80-Meter Club Championship (Data) is March 7, the ARS Spartan Sprint is March 8, and the Pesky Texan Armadillo Chase is March 10. See the ARRL Contest Branch page <<http://www.arrl.org/contests/>> and the WA7BNM Contest Calendar <<http://www.hornucopia.com/contestcal/index.html>> for more info.

Fox Hunt

Get you gear ready.



Saturday March 5th 9:30 AM. Meet in the Bossier Parish Main Library parking lot. Hunt begins at 10:00 AM and lunch at Fire Mountain around noon.